

Technical Specifications

Universal Pulmonary Function Measurement Station

- Complete Whole-Body Plethysmographic system for the measurement of:
 - Airway Resistance: R_{tot} , sR_{tot} , R_{eff} , sR_{eff} , R_{in} , R_{ex} ,...
 - Static Lung Volumes: VC, ITGV, RV, ERV, IC, IRV, TLC, RV/TLC, ITGV/TLC,...
 - Dynamic Lung Volumes: FVC, VC_{in} , VC_{ex} , VC_{max} , FEV1, FEV1/FVC, FEV1/ VC_{in} , FEV1/ VC_{max} , FEF75, FEF50, FEF25, PEF, FIV1, PIF, MIF50,...

Components

- Airtight box with panorama glazing, integrated intercom system and compensation vessel
- Heated, robust JAEGER pneumotach (GOLD Standard)
- PC, color printer, TFT monitor and safety isolation transformer in an ergonomic, smooth-running trolley with just one connection cable to the patient box
- Set of accessories including a 3-liter calibration pump
- Complete software for measurement and evaluation including powerful data management tool, calibration programs and report generator
- Swivel-mounted adjustable desk, i.e. the Body system can be operated in a standing or sitting position.

Technical Data

Flow measurement

Type	JAEGER Pneumotach
Range	0 - ± 20 L/s
Accuracy	0.2 - 12 L/s: $\pm 2\%$
Resistance	< 0.05 kPa/(L/s) at 10 L/s
Resolution	10 mL/s

Volume determination

Type	digital integration
Range	± 20 L
Accuracy	$\pm 3\%$ or ± 50 mL
Resolution	1 mL

Mouth pressure measurement

Type	piezoresistive
Range	± 20 kPa
Accuracy	$\pm 2\%$
Resolution	0.01 kPa

Box pressure measurement

Type	piezoresistive
Range	± 1 kPa
Accuracy	$\pm 2\%$
Resolution	0.4 mL

Box

Principle	aluminium/acrylic glas
Volume	830 L

Calibration

automatic calibration pump, 50 mL

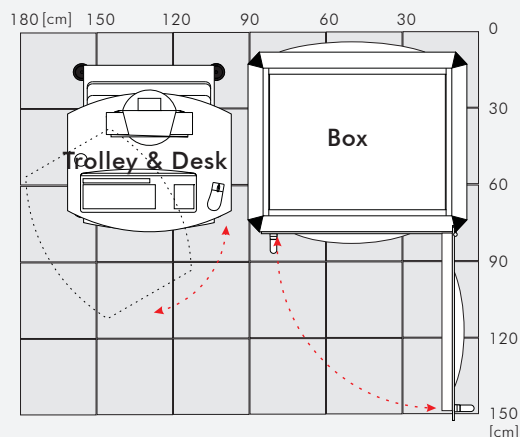
Categories:

- MPG Class: 2a
- Safety class: I
- Safety type: B
- UMDNS Code: 13-059
- CE0123

Dimensions

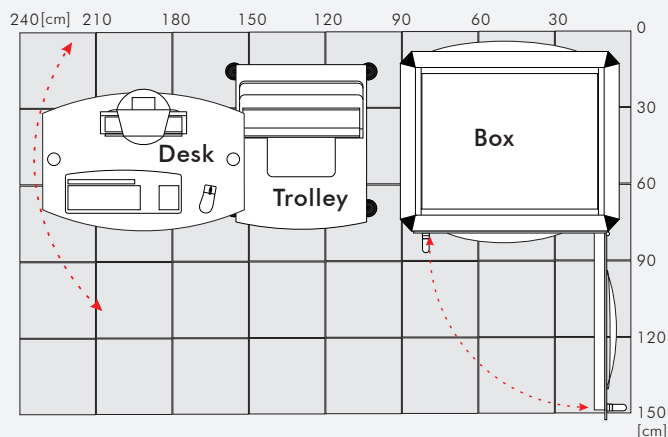
MasterScreen™ Body including trolley, standard version

- Box: 88 x 85 cm (120 kg)
- Trolley with swivel-mounted adjustable desk: 60 x 66 cm
- Space requirements: 180 x 150 cm



MasterScreen™ Body including trolley with lateral desk

- Box: 88 x 85 cm (120 kg)
- Trolley: 60 x 66 cm
- Swivel-mounted, adjustable desk with base: 80 x 55 cm
- Space requirements: 230 x 150 cm



Europe:

CareFusion Germany 234 GmbH
Leibnizstrasse 7
97204 Hoehberg
+49 931 4972-0 tel
+49 931 4972-423 fax



USA:

CareFusion Respiratory Care
22745 Savi Ranch Parkway
Yorba Linda, CA 92887
+1 714 283 2228 tel
+1 714 283 8493 fax

Quality and Safety

- CareFusion is certified according to ISO 9001/IEC 13485
- MasterScreen™ Body complies with the regulations of European (Medical Device Directive) and US (FDA) law.



MasterScreen™ Body An Overview:

Measurement Programs:

Spirometry/Flow-Volume	●
Flow-Volume Animation	●
Bodyplethysmography incl. Closing Volume	●
Diffusion Single Breath	○
Airway Resistance R Occ	○
Respiratory Drive, Resp. Muscle Strength	○
Tidal Breathing Analysis	○
Compliance	○
Impulse Oscillometry	○
Bronchial Test incl. APS pro	○
Rhinomanometry	○
ECG	○
CPX	○

Administrative Programs:

Data Base	●
Data Base Tools	○
SQL Data Mirror	○
Screen and Printer Report	●
TIF Report	○
PDF Report	○
Interpretation	○
Off-line Input (i.e. blood gas)	○
On-line Data Transfer	○
ReportDesigner	●
Predicted Value Generation	●
LanguageMaker	●
User Parameters	○
User Predicted Values	○
Bronchial Test Generation	○
AMOS	●
Network Data Base	○
Practice Coupling	○
HL7 Interface	○

● Standard ○ Option

Performance Features:

- Modern design of MasterScreen™ Body - available as „Standard“ or „Trolley with Lateral Desk“ (option)
- Panorama glazing makes patients feel safe and relaxed
- Optional wheel chair box - everything you require
- Heated pneumotach for highest accuracy
- New, user-friendly user interface incl. selectable background color („Blue“ or „Sand“)
- Comprehensive standard equipment
- **The all-inclusive test program will last no longer than one or two minutes!**
- Meets or exceeds the international guidelines and standards

MasterScreen™ Body is available in two different versions:



■ MasterScreen™ Body „Standard“



■ MasterScreen™ Body „Trolley with Lateral Desk“ (Option)